

PANOARAMA 3.0M SQUARE CANTILEVER FIXED UMBRELLA - P30SC

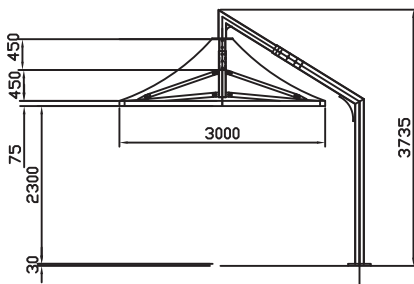
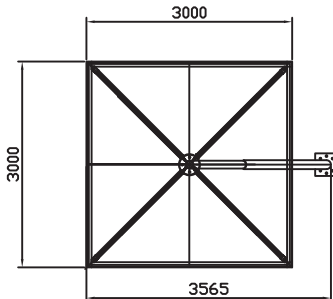
METRIC

Specifications:

- Cantilever Arm
- Low maintenance, heat reflective, UV treated, fully welded membrane.
- Frame is structural grade steel , galvernised & powdercoated.
- Perimeter frame - allowing for gutter system to control water flow.
- 5 year warranty on the frame.
- 2 year warranty on the canopy

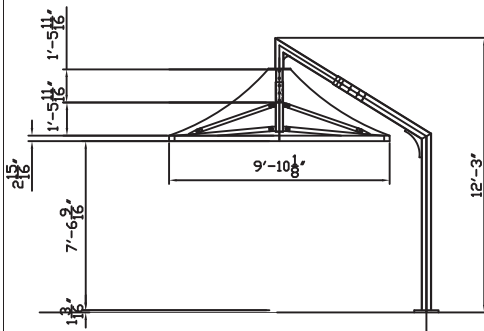
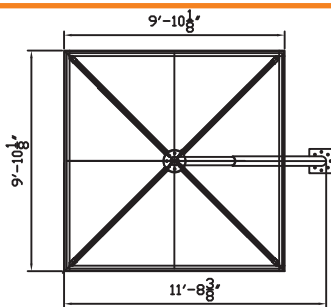
Options:

- Lighting
- Electric Heaters
- Electrical access panel
- Prevision for standard guttering system to control water flow.
- PVC Curtains
- Screen Printing
- Umbrellas can be linked together with joined or singular canopies



CODE : P30SC
 3 MTS SQ. FIXED PERIMETER
 CANTILEVER FRAME

IMPERIAL



CODE : P30SC
 10 FT. SQ. FIXED PERIMETER
 CANTILEVER FRAME

