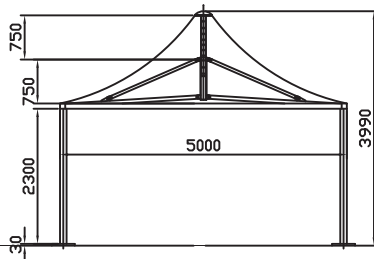
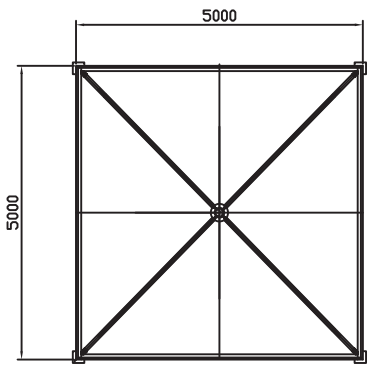


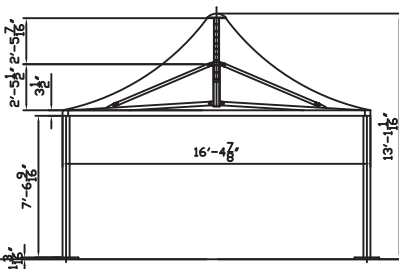
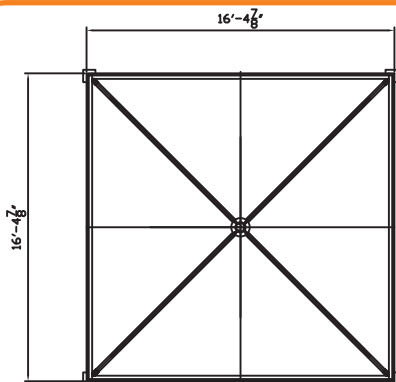
## PANOARAMA 5.0M SQUARE GAZEBO FIXED UMBRELLA - P50SG

### METRIC



CODE : P50SG  
 5 MTS SQ. FIXED PERIMETER FRAME  
 GAZEBO FRAME

### IMPERIAL



CODE : P50SG  
 16 FT. SQ. FIXED PERIMETER FRAME  
 GAZEBO FRAME

#### Specifications:

- Low maintenance, heat reflective, UV treated, fully welded membrane.
- Frame is structural grade steel , galvernised & powdercoated.
- Perimeter frame - allowing for gutter system to control water flow.
- 5 year warranty on the frame.
- 2 year warranty on the canopy

#### Options:

- Lighting
- Electric Heaters
- Electrical access panel
- Prevision for standard guttering system to control water flow.
- PVC Curtains
- Screen Printing
- Umbrellas can be linked together with joined or singular canopies

