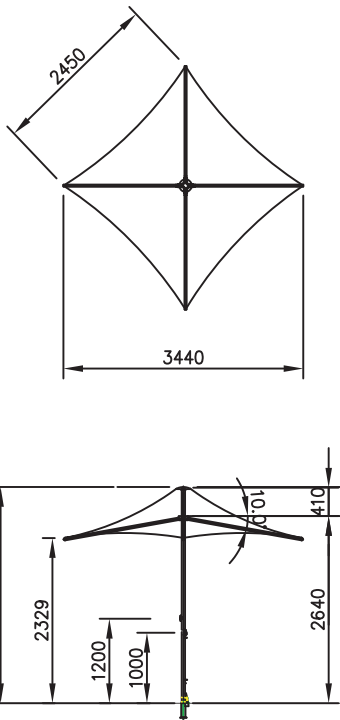


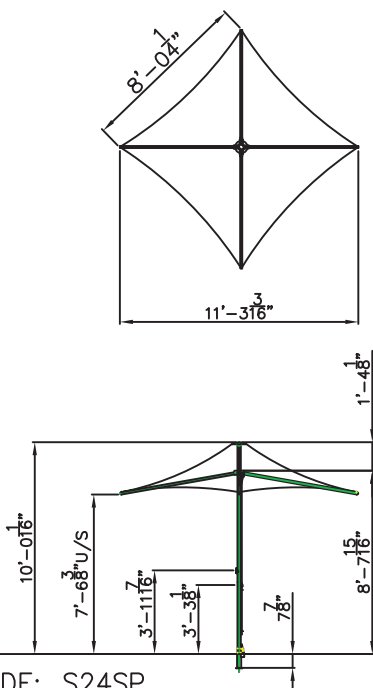
## SUNSET 2.4M SQUARE PORTABLE UMBRELLA - S24SP

### METRIC



CODE: S24P  
 SUNSET 2.4 M SQUARE PORTABLE

### IMPERIAL



CODE: S24SP  
 SUNSET 8 FT. SQUARE PORTABLE

### Specifications:

- All metal work is Structural Aluminium or 316 Stainless steel and powder coated
- Rope & Pulley System
- 1 year warranty on frame and fabric
- Fabric used is GL1000
- Engineered wind ratings up to 60km/h - 37 MPH

### Options:

- Inground lockable base plates
- Above ground base plates
- Screen Printing available

