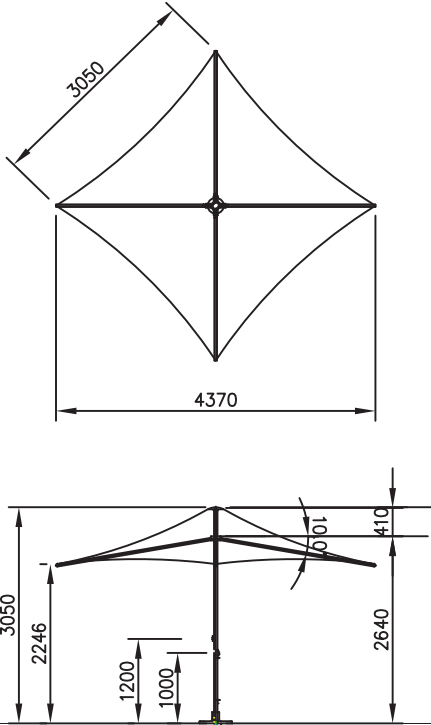


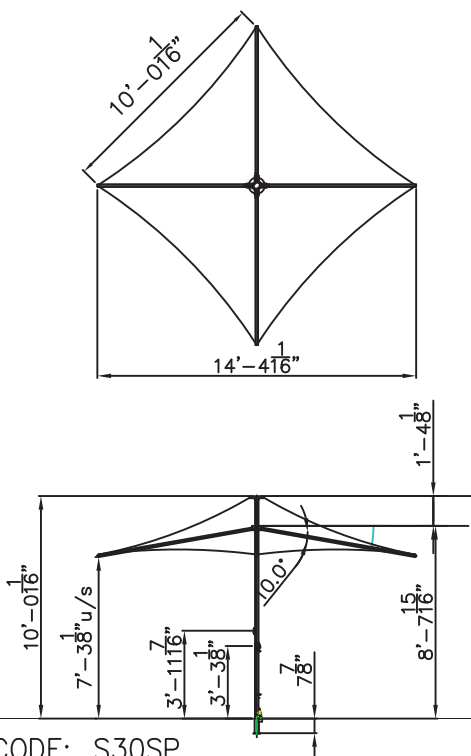
SUNSET 3.0M SQUARE PORTABLE UMBRELLA - S30SP

METRIC



CODE: S30SP
 SUNSET 3.0 M SQUARE PORTABLE

IMPERIAL



CODE: S30SP
 SUNSET 10 FT. SQUARE PORTABLE

Specifications:

- All metal work is Structural Aluminium or 316 Stainless steel and powder coated
- Rope & Pulley System
- 1 year warranty on frame and fabric
- Fabric used is GL1000
- Engineered wind ratings up to 60km/h - 37 MPH

Options:

- Inground lockable base plates
- Above ground base plates
- Screen Printing available

