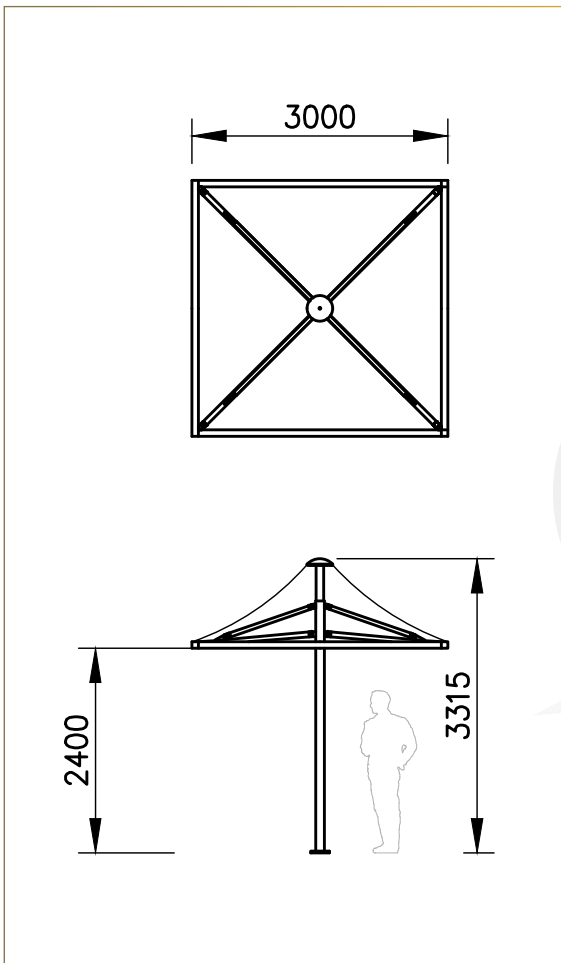




STYLES AVAILABLE			WIND RATING		FRAME MATERIAL		COLUMN TYPE			FEATURES			PRICE		
SQUARE	HEXAGONAL	RECTANGULAR	148km/h OPEN	112km/h OPEN	ALUMINIUM	STEEL	CENTRE COLUMN	CANTILEVERED	GAZEBO	PORTABLE	FIXED	RETRACTABLE	ENTRY LEVEL	STANDARD	PREMIUM

P30S DIMENSIONS



The Panorama range's primary feature is its perimeter frame. The structural perimeter frame makes hanging curtains a breeze, allows for easy mounting of heating, cooling and lighting systems whilst contributing to a W41 (148kph) wind rating.

- Available in centre column, cantilevered or gazebo style post arrangements.
- 3.0m – 8.0m standard sizing.
- Non Retractable.
- Frame constructed from structural grade C350 steel, hot dip galvanised and powder coated to any colour in the Dulux/Interpon range
- Low maintenance, translucent, heat reflective, UV treated and fully welded architectural grade PVC membrane available in a large variety of colours.
- 5 year structural warranty on the frame & minimum 5 year fabric manufacturer's warranty on the canopy.
- Engineered to W41 (148kph) winds in terrain category 3 for areas with high wind conditions.
- Accessory options include PVC curtains, gutters, link panels (joining adjacent umbrellas), corporate branding, down/up lights, heaters, electrical access points and speaker systems.



PANORAMA 4M SQUARE UMBRELLAS

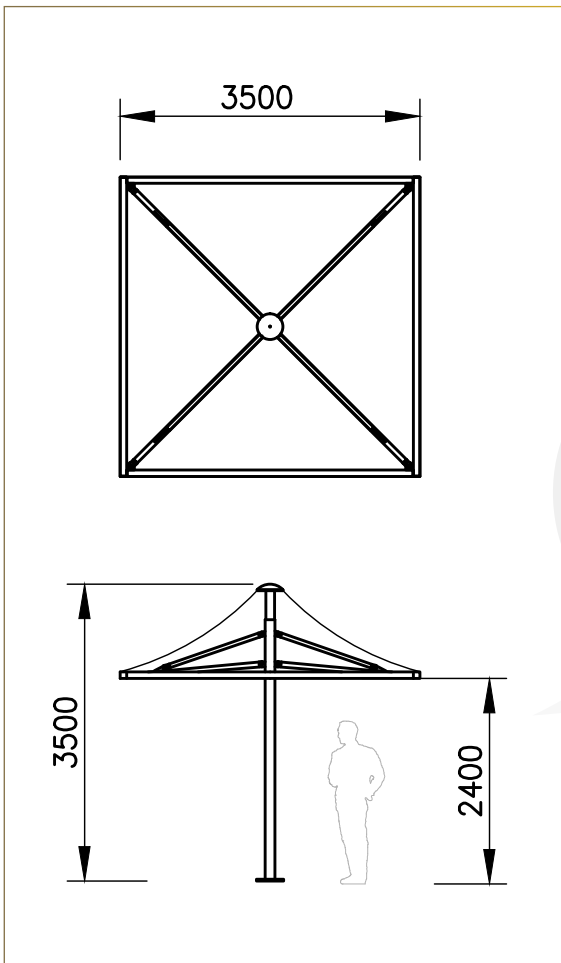


PANORAMA 3M SQUARE UMBRELLAS



STYLES AVAILABLE			WIND RATING		FRAME MATERIAL		COLUMN TYPE			FEATURES			PRICE		
SQUARE	HEXAGONAL	RECTANGULAR	148km/h OPEN	112km/h OPEN	ALUMINIUM	STEEL	CENTRE COLUMN	CANTILEVERED	GAZEBO	PORTABLE	FIXED	RETRACTABLE	ENTRY LEVEL	STANDARD	PREMIUM

P35S DIMENSIONS



The Panorama range's primary feature is its perimeter frame. The structural perimeter frame makes hanging curtains a breeze, allows for easy mounting of heating, cooling and lighting systems whilst contributing to a W41 (148kph) wind rating.

- Available in centre column, cantilevered or gazebo style post arrangements.
- 3.0m – 8.0m standard sizing.
- Non Retractable.
- Frame constructed from structural grade C350 steel, hot dip galvanised and powder coated to any colour in the Dulux/Interpon range
- Low maintenance, translucent, heat reflective, UV treated and fully welded architectural grade PVC membrane available in a large variety of colours.
- 5 year structural warranty on the frame & minimum 5 year fabric manufacturer's warranty on the canopy.
- Engineered to W41 (148kph) winds in terrain category 3 for areas with high wind conditions.
- Accessory options include PVC curtains, gutters, link panels (joining adjacent umbrellas), corporate branding, down/up lights, heaters, electrical access points and speaker systems.



PANORAMA 4M SQUARE UMBRELLAS

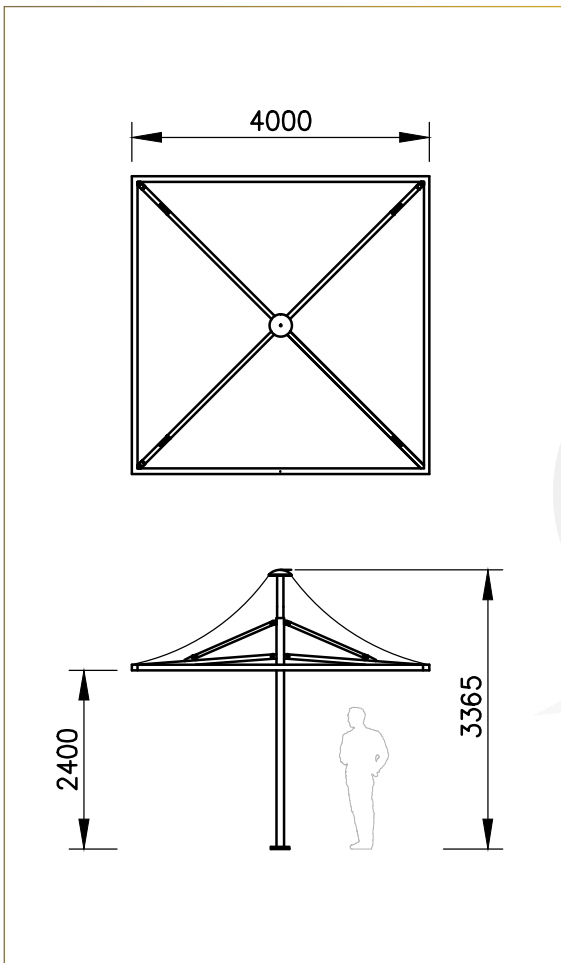


PANORAMA 3M SQUARE UMBRELLAS



STYLES AVAILABLE			WIND RATING		FRAME MATERIAL		COLUMN TYPE			FEATURES			PRICE		
SQUARE	HEXAGONAL	RECTANGULAR	148km/h OPEN	112km/h OPEN	ALUMINIUM	STEEL	CENTRE COLUMN	CANTILEVERED	GAZEBO	PORTABLE	FIXED	RETRACTABLE	ENTRY LEVEL	STANDARD	PREMIUM

P40S DIMENSIONS



The Panorama range's primary feature is its perimeter frame. The structural perimeter frame makes hanging curtains a breeze, allows for easy mounting of heating, cooling and lighting systems whilst contributing to a W41 (148kph) wind rating.

- Available in centre column, cantilevered or gazebo style post arrangements.
- 3.0m – 8.0m standard sizing.
- Non Retractable.
- Frame constructed from structural grade C350 steel, hot dip galvanised and powder coated to any colour in the Dulux/Interpon range
- Low maintenance, translucent, heat reflective, UV treated and fully welded architectural grade PVC membrane available in a large variety of colours.
- 5 year structural warranty on the frame & minimum 5 year fabric manufacturer's warranty on the canopy.
- Engineered to W41 (148kph) winds in terrain category 3 for areas with high wind conditions.
- Accessory options include PVC curtains, gutters, link panels (joining adjacent umbrellas), corporate branding, down/up lights, heaters, electrical access points and speaker systems.



PANORAMA 4M SQUARE UMBRELLAS

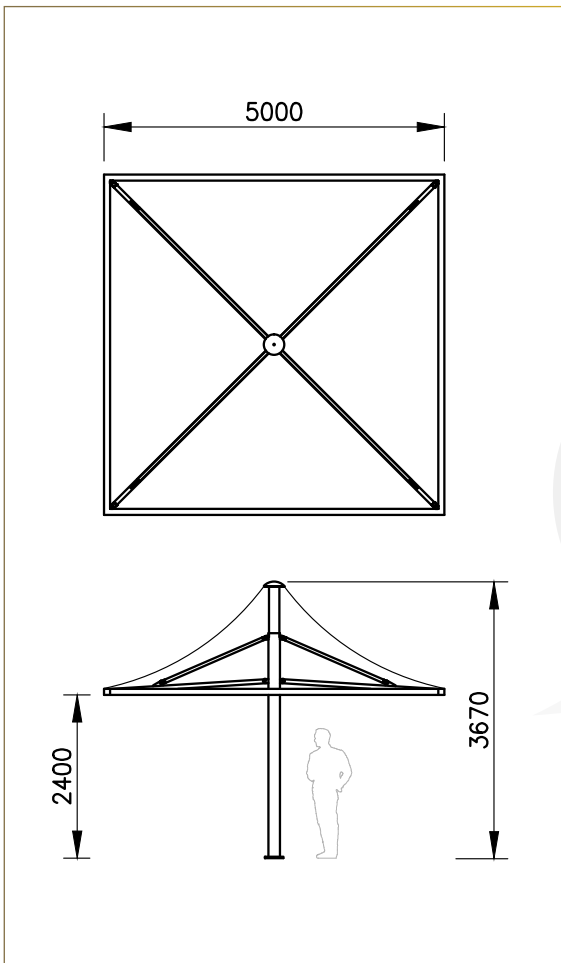


PANORAMA 3M SQUARE UMBRELLAS



STYLES AVAILABLE			WIND RATING		FRAME MATERIAL		COLUMN TYPE			FEATURES			PRICE		
SQUARE	HEXAGONAL	RECTANGULAR	148km/h OPEN	112km/h OPEN	ALUMINIUM	STEEL	CENTRE COLUMN	CANTILEVERED	GAZEBO	PORTABLE	FIXED	RETRACTABLE	ENTRY LEVEL	STANDARD	PREMIUM

P50S DIMENSIONS



The Panorama range's primary feature is its perimeter frame. The structural perimeter frame makes hanging curtains a breeze, allows for easy mounting of heating, cooling and lighting systems whilst contributing to a W41 (148kph) wind rating.

- Available in centre column, cantilevered or gazebo style post arrangements.
- 3.0m – 8.0m standard sizing.
- Non Retractable.
- Frame constructed from structural grade C350 steel, hot dip galvanised and powder coated to any colour in the Dulux/Interpon range
- Low maintenance, translucent, heat reflective, UV treated and fully welded architectural grade PVC membrane available in a large variety of colours.
- 5 year structural warranty on the frame & minimum 5 year fabric manufacturer's warranty on the canopy.
- Engineered to W41 (148kph) winds in terrain category 3 for areas with high wind conditions.
- Accessory options include PVC curtains, gutters, link panels (joining adjacent umbrellas), corporate branding, down/up lights, heaters, electrical access points and speaker systems.



PANORAMA 4M SQUARE UMBRELLAS

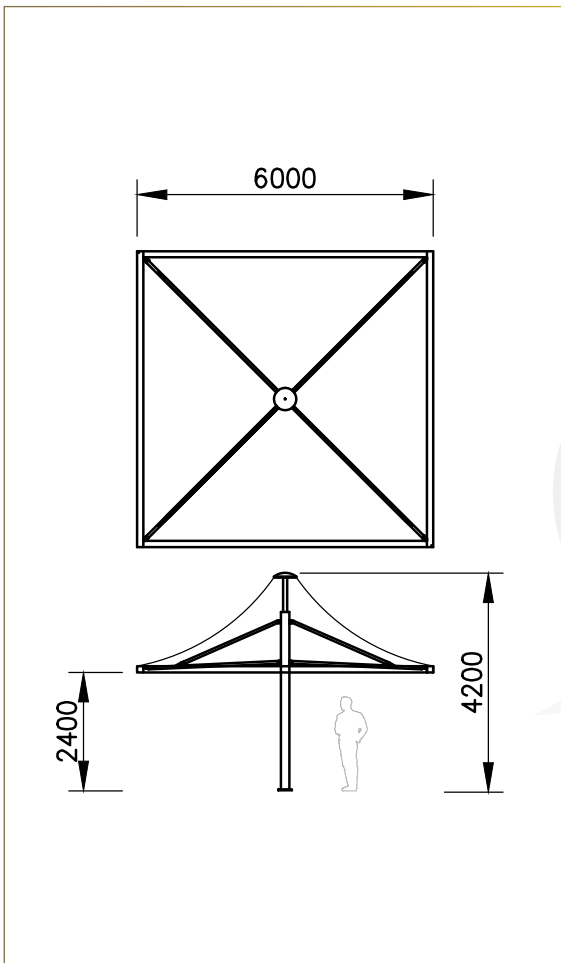


PANORAMA 3M SQUARE UMBRELLAS



STYLES AVAILABLE			WIND RATING		FRAME MATERIAL		COLUMN TYPE			FEATURES			PRICE		
SQUARE	HEXAGONAL	RECTANGULAR	148km/h OPEN	112km/h OPEN	ALUMINIUM	STEEL	CENTRE COLUMN	CANTILEVERED	GAZEBO	PORTABLE	FIXED	RETRACTABLE	ENTRY LEVEL	STANDARD	PREMIUM

P60S DIMENSIONS



The Panorama range's primary feature is its perimeter frame. The structural perimeter frame makes hanging curtains a breeze, allows for easy mounting of heating, cooling and lighting systems whilst contributing to a W41 (148kph) wind rating.

- Available in centre column, cantilevered or gazebo style post arrangements.
- 3.0m – 8.0m standard sizing.
- Non Retractable.
- Frame constructed from structural grade C350 steel, hot dip galvanised and powder coated to any colour in the Dulux/Interpon range
- Low maintenance, translucent, heat reflective, UV treated and fully welded architectural grade PVC membrane available in a large variety of colours.
- 5 year structural warranty on the frame & minimum 5 year fabric manufacturer's warranty on the canopy.
- Engineered to W41 (148kph) winds in terrain category 3 for areas with high wind conditions.
- Accessory options include PVC curtains, gutters, link panels (joining adjacent umbrellas), corporate branding, down/up lights, heaters, electrical access points and speaker systems.



PANORAMA 4M SQUARE UMBRELLAS

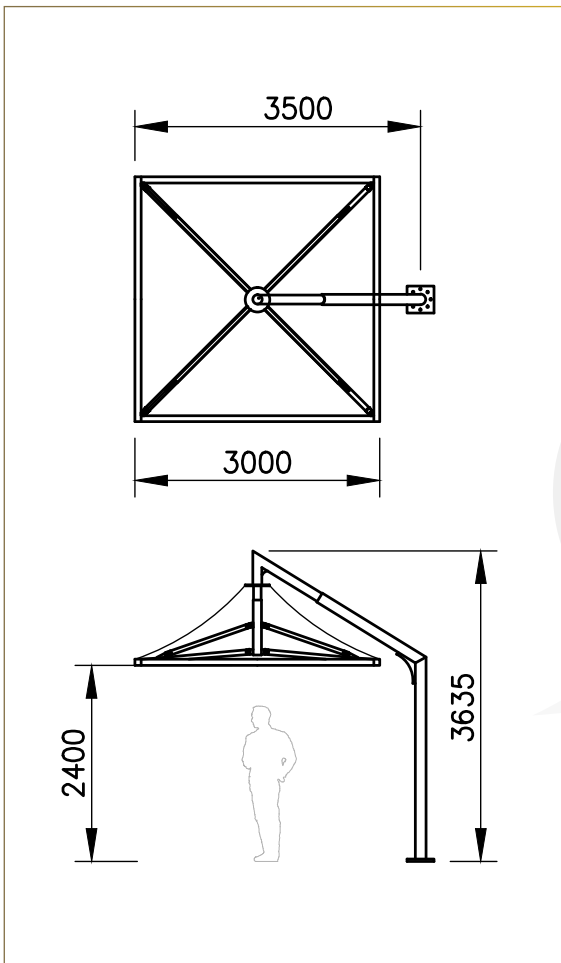


PANORAMA 3M SQUARE UMBRELLAS



STYLES AVAILABLE			WIND RATING		FRAME MATERIAL		COLUMN TYPE			FEATURES			PRICE		
SQUARE	HEXAGONAL	RECTANGULAR	148km/h OPEN	112km/h OPEN	ALUMINIUM	STEEL	CENTRE COLUMN	CANTILEVERED	GAZEBO	PORTABLE	FIXED	RETRACTABLE	ENTRY LEVEL	STANDARD	PREMIUM

P30SC DIMENSIONS



The Panorama range's primary feature is its perimeter frame. The structural perimeter frame makes hanging curtains a breeze, allows for easy mounting of heating, cooling and lighting systems whilst contributing to a W41 (148kph) wind rating.

- Available in centre column, cantilevered or gazebo style post arrangements.
- 3.0m – 8.0m standard sizing.
- Non Retractable.
- Frame constructed from structural grade C350 steel, hot dip galvanised and powder coated to any colour in the Dulux/Interpon range
- Low maintenance, translucent, heat reflective, UV treated and fully welded architectural grade PVC membrane available in a large variety of colours.
- 5 year structural warranty on the frame & minimum 5 year fabric manufacturer's warranty on the canopy.
- Engineered to W41 (148kph) winds in terrain category 3 for areas with high wind conditions.
- Accessory options include PVC curtains, gutters, link panels (joining adjacent umbrellas), corporate branding, down/up lights, heaters, electrical access points and speaker systems.



PANORAMA 4M SQUARE UMBRELLAS

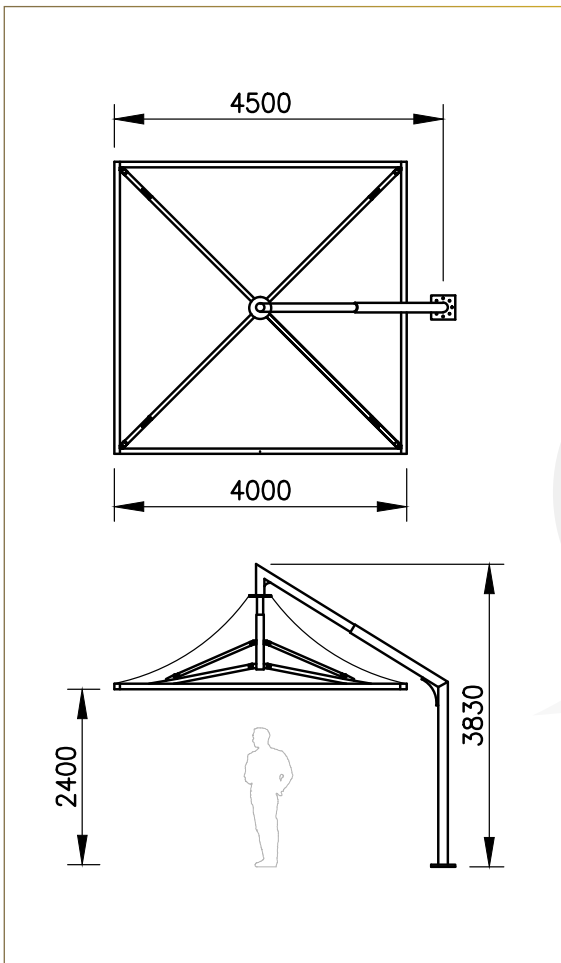


PANORAMA 3M SQUARE UMBRELLAS



STYLES AVAILABLE			WIND RATING		FRAME MATERIAL		COLUMN TYPE			FEATURES			PRICE		
SQUARE	HEXAGONAL	RECTANGULAR	148km/h OPEN	112km/h OPEN	ALUMINIUM	STEEL	CENTRE COLUMN	CANTILEVERED	GAZEBO	PORTABLE	FIXED	RETRACTABLE	ENTRY LEVEL	STANDARD	PREMIUM

P40SC DIMENSIONS



The Panorama range's primary feature is its perimeter frame. The structural perimeter frame makes hanging curtains a breeze, allows for easy mounting of heating, cooling and lighting systems whilst contributing to a W41 (148kph) wind rating.

- Available in centre column, cantilevered or gazebo style post arrangements.
- 3.0m – 8.0m standard sizing.
- Non Retractable.
- Frame constructed from structural grade C350 steel, hot dip galvanised and powder coated to any colour in the Dulux/Interpon range
- Low maintenance, translucent, heat reflective, UV treated and fully welded architectural grade PVC membrane available in a large variety of colours.
- 5 year structural warranty on the frame & minimum 5 year fabric manufacturer's warranty on the canopy.
- Engineered to W41 (148kph) winds in terrain category 3 for areas with high wind conditions.
- Accessory options include PVC curtains, gutters, link panels (joining adjacent umbrellas), corporate branding, down/up lights, heaters, electrical access points and speaker systems.



PANORAMA 4M SQUARE UMBRELLAS

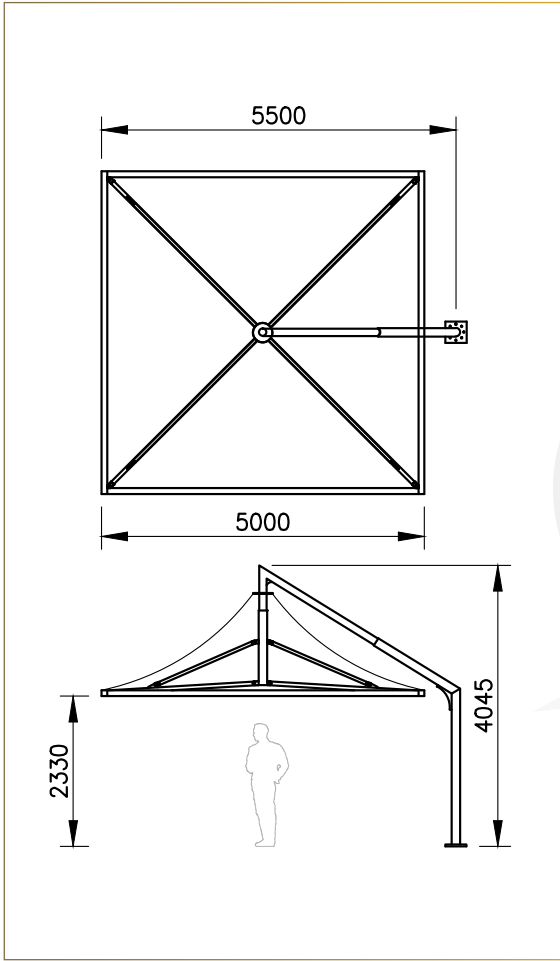


PANORAMA 3M SQUARE UMBRELLAS



STYLES AVAILABLE			WIND RATING		FRAME MATERIAL		COLUMN TYPE			FEATURES			PRICE		
SQUARE	HEXAGONAL	RECTANGULAR	148km/h OPEN	112km/h OPEN	ALUMINIUM	STEEL	CENTRE COLUMN	CANTILEVERED	GAZEBO	PORTABLE	FIXED	RETRACTABLE	ENTRY LEVEL	STANDARD	PREMIUM

P50SC DIMENSIONS



The Panorama range's primary feature is its perimeter frame. The structural perimeter frame makes hanging curtains a breeze, allows for easy mounting of heating, cooling and lighting systems whilst contributing to a W41 (148kph) wind rating.

- Available in centre column, cantilevered or gazebo style post arrangements.
- 3.0m – 8.0m standard sizing.
- Non Retractable.
- Frame constructed from structural grade C350 steel, hot dip galvanised and powder coated to any colour in the Dulux/Interpon range
- Low maintenance, translucent, heat reflective, UV treated and fully welded architectural grade PVC membrane available in a large variety of colours.
- 5 year structural warranty on the frame & minimum 5 year fabric manufacturer's warranty on the canopy.
- Engineered to W41 (148kph) winds in terrain category 3 for areas with high wind conditions.
- Accessory options include PVC curtains, gutters, link panels (joining adjacent umbrellas), corporate branding, down/up lights, heaters, electrical access points and speaker systems.



PANORAMA 4M SQUARE UMBRELLAS

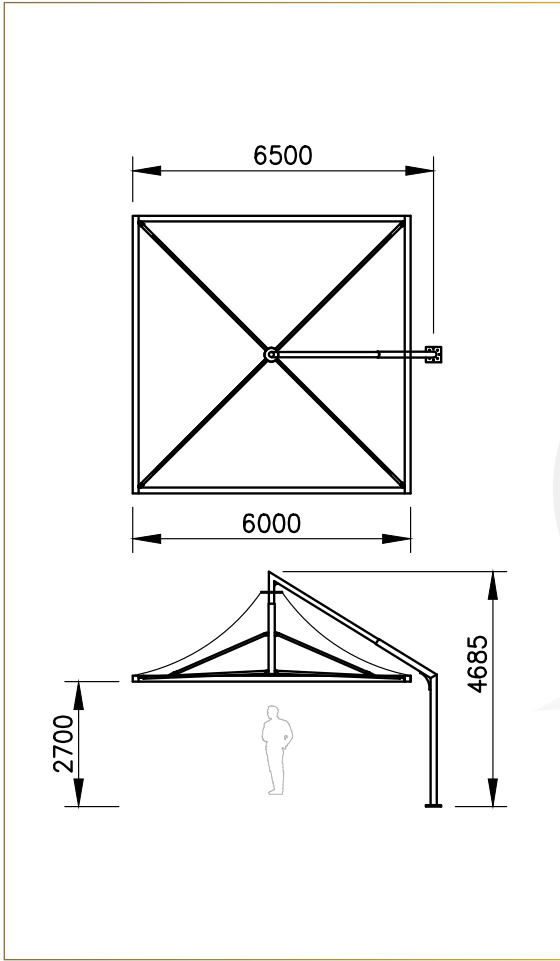


PANORAMA 3M SQUARE UMBRELLAS



STYLES AVAILABLE			WIND RATING		FRAME MATERIAL		COLUMN TYPE			FEATURES			PRICE		
SQUARE	HEXAGONAL	RECTANGULAR	148 _{kmh} OPEN	112 _{kmh} OPEN	ALUMINIUM	STEEL	CENTRE COLUMN	CANTILEVERED	GAZEBO	PORTABLE	FIXED	RETRACTABLE	ENTRY LEVEL	STANDARD	PREMIUM

P60SC DIMENSIONS



The Panorama range's primary feature is its perimeter frame. The structural perimeter frame makes hanging curtains a breeze, allows for easy mounting of heating, cooling and lighting systems whilst contributing to a W41 (148kph) wind rating.

- Available in centre column, cantilevered or gazebo style post arrangements.
- 3.0m – 8.0m standard sizing.
- Non Retractable.
- Frame constructed from structural grade C350 steel, hot dip galvanised and powder coated to any colour in the Dulux/Interpon range
- Low maintenance, translucent, heat reflective, UV treated and fully welded architectural grade PVC membrane available in a large variety of colours.
- 5 year structural warranty on the frame & minimum 5 year fabric manufacturer's warranty on the canopy.
- Engineered to W41 (148kph) winds in terrain category 3 for areas with high wind conditions.
- Accessory options include PVC curtains, gutters, link panels (joining adjacent umbrellas), corporate branding, down/up lights, heaters, electrical access points and speaker systems.



PANORAMA 4M SQUARE UMBRELLAS

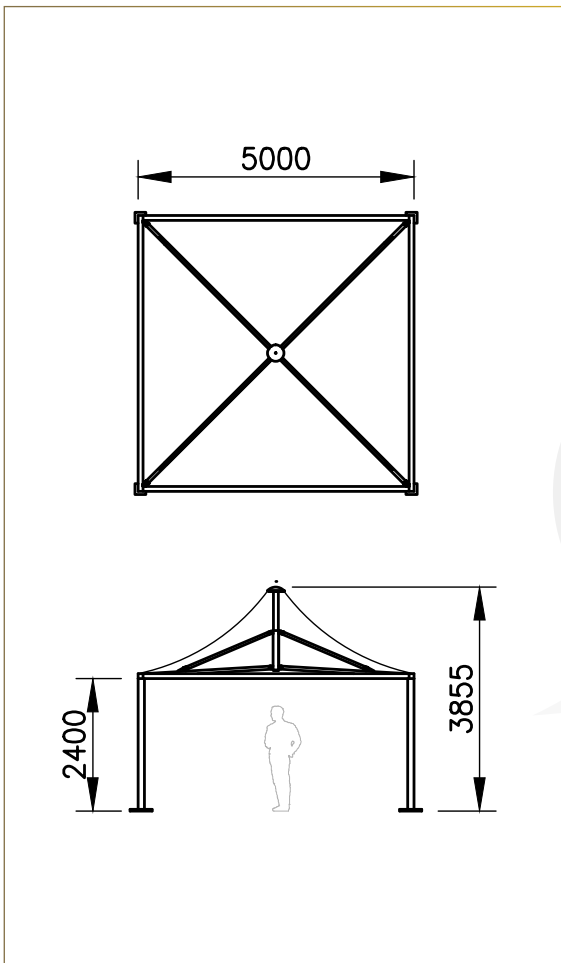


PANORAMA 3M SQUARE UMBRELLAS



STYLES AVAILABLE			WIND RATING		FRAME MATERIAL		COLUMN TYPE			FEATURES			PRICE		
SQUARE	HEXAGONAL	RECTANGULAR	148km/h OPEN	112km/h OPEN	ALUMINIUM	STEEL	CENTRE COLUMN	CANTILEVERED	GAZEBO	PORTABLE	FIXED	RETRACTABLE	ENTRY LEVEL	STANDARD	PREMIUM

P50SG DIMENSIONS



The Panorama range's primary feature is its perimeter frame. The structural perimeter frame makes hanging curtains a breeze, allows for easy mounting of heating, cooling and lighting systems whilst contributing to a W41 (148kph) wind rating.

- Available in centre column, cantilevered or gazebo style post arrangements.
- 3.0m – 8.0m standard sizing.
- Non Retractable.
- Frame constructed from structural grade C350 steel, hot dip galvanised and powder coated to any colour in the Dulux/Interpon range
- Low maintenance, translucent, heat reflective, UV treated and fully welded architectural grade PVC membrane available in a large variety of colours.
- 5 year structural warranty on the frame & minimum 5 year fabric manufacturer's warranty on the canopy.
- Engineered to W41 (148kph) winds in terrain category 3 for areas with high wind conditions.
- Accessory options include PVC curtains, gutters, link panels (joining adjacent umbrellas), corporate branding, down/up lights, heaters, electrical access points and speaker systems.



PANORAMA 4M SQUARE UMBRELLAS

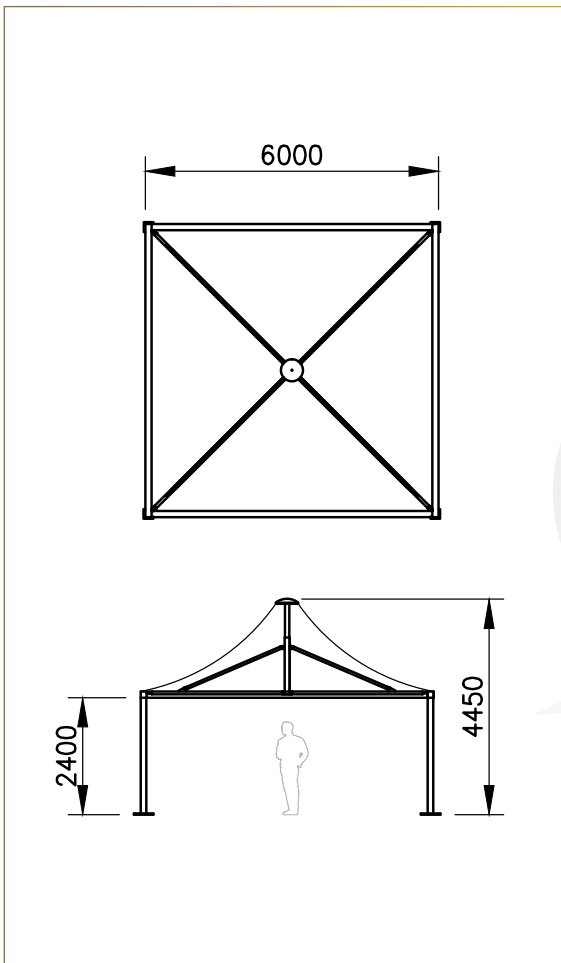


PANORAMA 3M SQUARE UMBRELLAS



STYLES AVAILABLE			WIND RATING		FRAME MATERIAL		COLUMN TYPE			FEATURES			PRICE		
SQUARE	HEXAGONAL	RECTANGULAR	148km/h OPEN	112km/h OPEN	ALUMINIUM	STEEL	CENTRE COLUMN	CANTILEVERED	GAZEBO	PORTABLE	FIXED	RETRACTABLE	ENTRY LEVEL	STANDARD	PREMIUM

P60SG DIMENSIONS



The Panorama range's primary feature is its perimeter frame. The structural perimeter frame makes hanging curtains a breeze, allows for easy mounting of heating, cooling and lighting systems whilst contributing to a W41 (148kph) wind rating.

- Available in centre column, cantilevered or gazebo style post arrangements.
- 3.0m – 8.0m standard sizing.
- Non Retractable.
- Frame constructed from structural grade C350 steel, hot dip galvanised and powder coated to any colour in the Dulux/Interpon range
- Low maintenance, translucent, heat reflective, UV treated and fully welded architectural grade PVC membrane available in a large variety of colours.
- 5 year structural warranty on the frame & minimum 5 year fabric manufacturer's warranty on the canopy.
- Engineered to W41 (148kph) winds in terrain category 3 for areas with high wind conditions.
- Accessory options include PVC curtains, gutters, link panels (joining adjacent umbrellas), corporate branding, down/up lights, heaters, electrical access points and speaker systems.



PANORAMA 4M SQUARE UMBRELLAS

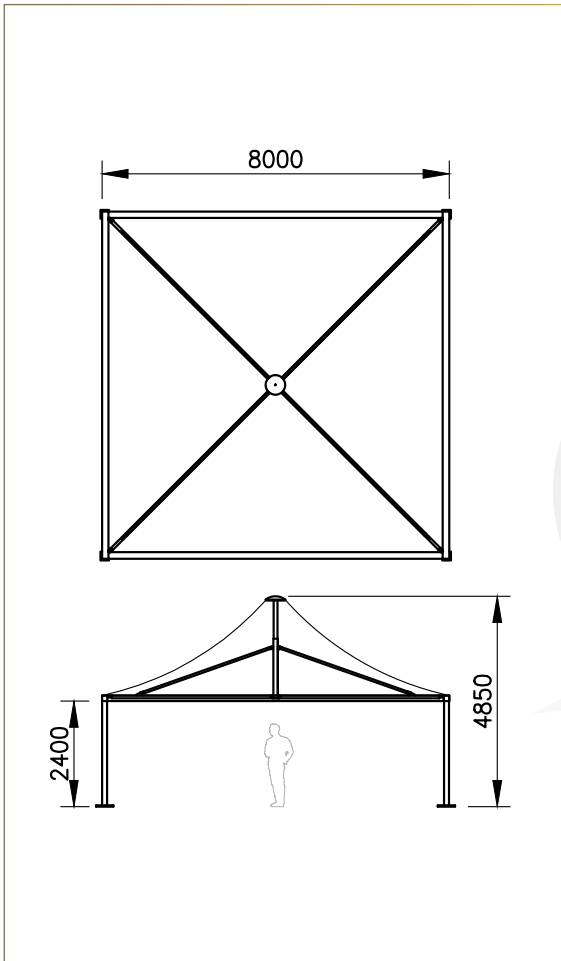


PANORAMA 3M SQUARE UMBRELLAS



STYLES AVAILABLE			WIND RATING		FRAME MATERIAL		COLUMN TYPE			FEATURES			PRICE		
SQUARE	HEXAGONAL	RECTANGULAR	148 _{kmh} OPEN	112 _{kmh} OPEN	ALUMINIUM	STEEL	CENTRE COLUMN	CANTILEVERED	GAZEBO	PORTABLE	FIXED	RETRACTABLE	ENTRY LEVEL	STANDARD	PREMIUM

P80SG DIMENSIONS



The Panorama range's primary feature is its perimeter frame. The structural perimeter frame makes hanging curtains a breeze, allows for easy mounting of heating, cooling and lighting systems whilst contributing to a W41 (148kph) wind rating.

- Available in centre column, cantilevered or gazebo style post arrangements.
- 3.0m – 8.0m standard sizing.
- Non Retractable.
- Frame constructed from structural grade C350 steel, hot dip galvanised and powder coated to any colour in the Dulux/Interpon range
- Low maintenance, translucent, heat reflective, UV treated and fully welded architectural grade PVC membrane available in a large variety of colours.
- 5 year structural warranty on the frame & minimum 5 year fabric manufacturer's warranty on the canopy.
- Engineered to W41 (148kph) winds in terrain category 3 for areas with high wind conditions.
- Accessory options include PVC curtains, gutters, link panels (joining adjacent umbrellas), corporate branding, down/up lights, heaters, electrical access points and speaker systems.



PANORAMA 4M SQUARE UMBRELLAS



PANORAMA 3M SQUARE UMBRELLAS