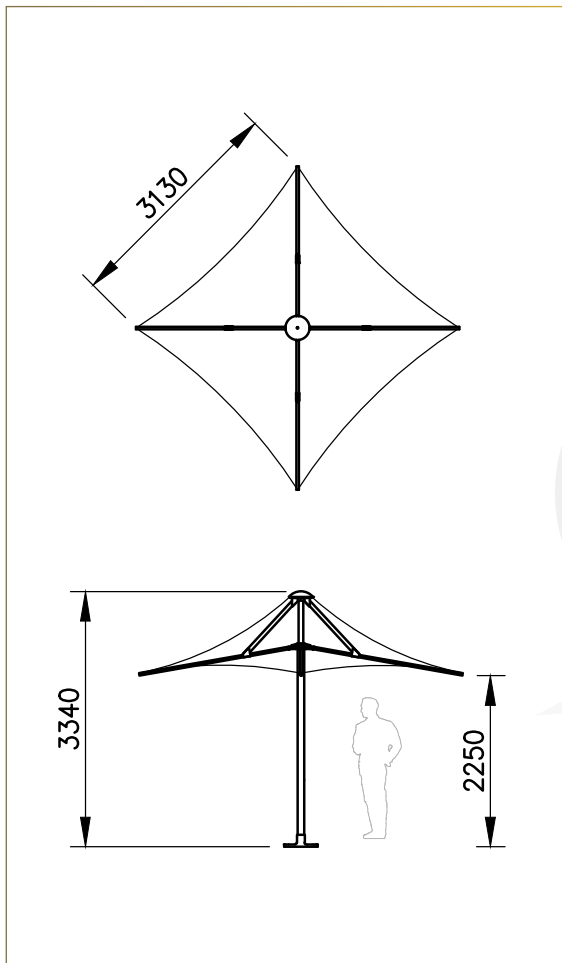




| STYLES AVAILABLE | | | WIND RATING | | FRAME MATERIAL | | COLUMN TYPE | | | FEATURES | | | PRICE | | |
|------------------|-----------|-------------|--------------|----------|----------------|-------|---------------|--------------|--------|----------|-------|-------------|-------------|----------|---------|
| | | | | | | | | | | | | | | | |
| SQUARE | HEXAGONAL | RECTANGULAR | 148km/h OPEN | 112 Km/h | ALUMINIUM | STEEL | CENTRE COLUMN | CANTILEVERED | GAZEBO | PORTABLE | FIXED | RETRACTABLE | ENTRY LEVEL | STANDARD | PREMIUM |

T30S DIMENSIONS



The clear choice for coastal resorts, exposed public spaces and wind-prone environments. Typhoon umbrellas are engineer certified to a wind rating W41 (148 KPH). Combine that with an industry leading structural & canopy warranty and you have shade with piece of mind.

- Available in square, hexagonal and rectangular shapes.
- 2.4m – 5.6m standard sizing.
- Made from high tensile, structural grade aluminium with additional bracing for strength, powder coated to any colour in the Dulux/Interpon range.
- Low maintenance, translucent, heat reflective, UV treated and fully welded architectural grade PVC membrane available in a large variety of colours.
- Marine grade stainless steel catenary cable and fittings.
- 10 year frame anti rust policy, 5 year structural warranty on the frame & canopy.
- Engineer wind rated to 148 kph (W41).
- Range of accessories including lighting, heating, corporate branding & link panels.



TYPHOON 4M SQUARE UMBRELLAS



TYPHOON 3M SQUARE UMBRELLAS