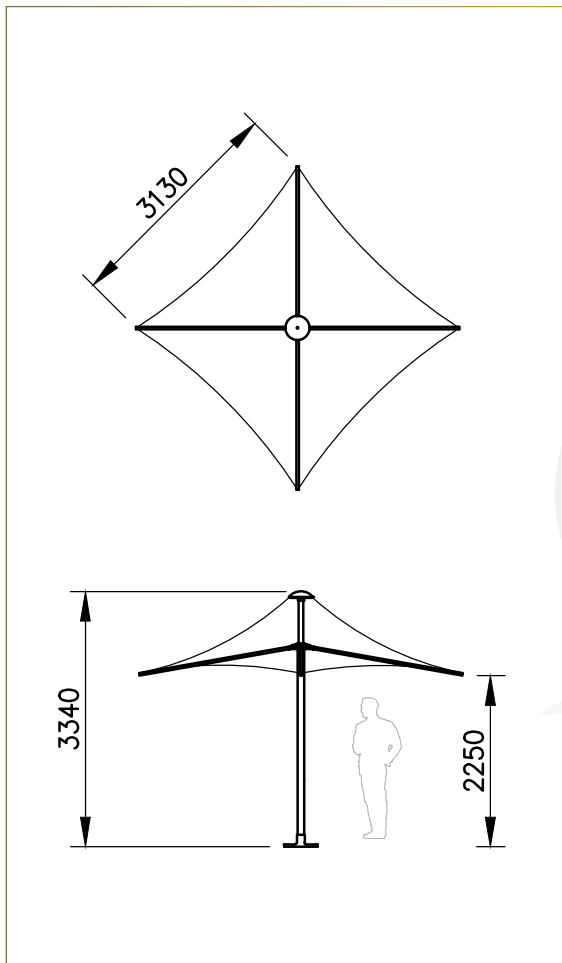




STYLES AVAILABLE			WIND RATING		FRAME MATERIAL		COLUMN TYPE			FEATURES			PRICE		
SQUARE	HEXAGONAL	RECTANGULAR	148km/h CLOSED	112km/h OPEN	ALUMINIUM	STEEL	CENTRE COLUMN	CANTILEVERED	GAZEBO	PORTABLE	FIXED	RETRACTABLE	ENTRY LEVEL	STANDARD	PREMIUM

S30S DIMENSIONS



The brilliance of our Sunset umbrellas is that in extreme weather conditions they can be retracted easily and quickly. The unique gearing mechanism neatly concealed within the column of the umbrella allows the unit to be wound down via removable handle or automatically via remote control, ideal for cafes, restaurants and holiday resorts.

- Available in square, hexagonal and rectangular shapes.
- 2.4m – 5.6m standard sizing.
- Fully retractable with optional remote control for ease and speed of retracting or deploying the canopy.
- Made from high tensile, corrosion resistant structural grade aluminium, powder coated to any colour in the Du-lux/Interpon range.
- Low maintenance, translucent, heat reflective, UV treated and fully welded architectural grade PVC membrane available in a large variety of colours.
- 10 year Frame anti rust policy, 5 year structural warranty on the frame & 2 year warranty on the canopy.
- Marine grade stainless steel catenary cable and fittings.
- Engineered wind rated 112 kph (W33) open & 148 kph (W41) closed.



SUNSET 4M HEXAGONAL UMBRELLAS



SUNSET 4M SQUARE UMBRELLAS